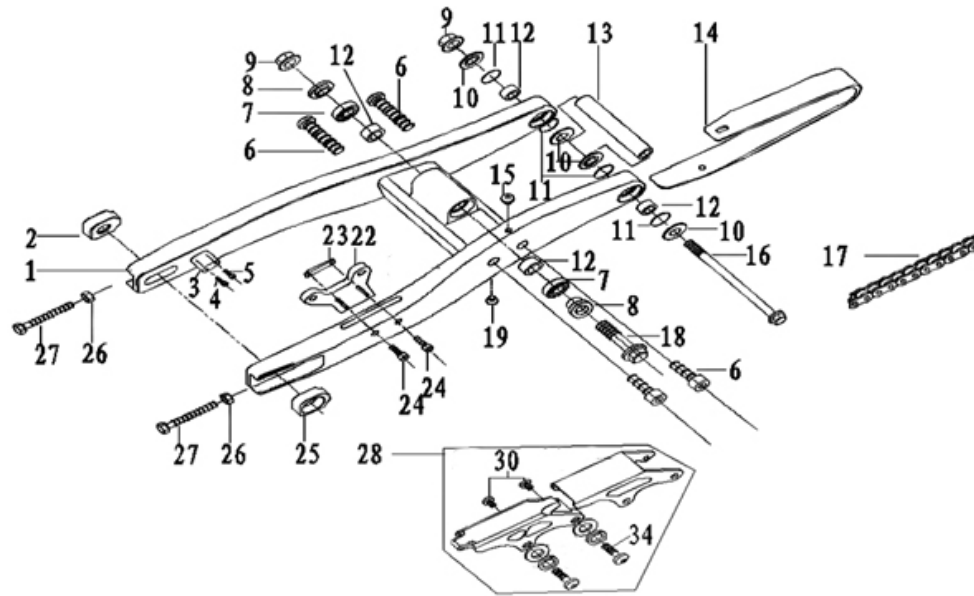


F08

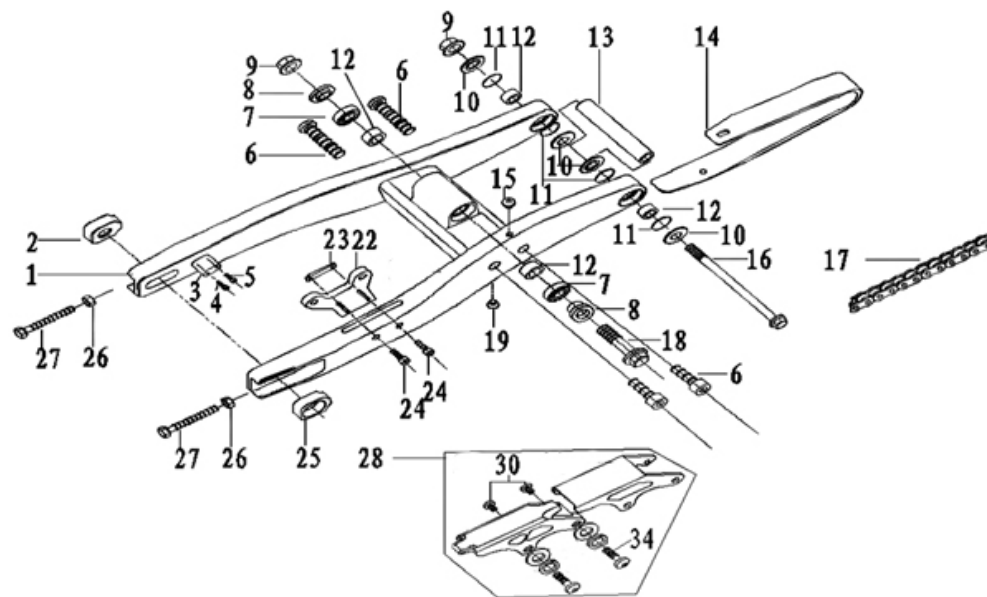
SWING ARM



No.	Part Code	UP ref.	Part Name(Remark)	LXR88R	LXR150	LXR150R	LXR150RR	Note
1	52100-UP/S-00-E	3935	swing arm CNC 10"	1				
1	52100-X5/UP-00L-E	3575	swing arm CNC 12"		1	1		
1	52100-X5/UP-00L-E	3934	swing arm CNC 12" BLACK				1	
2	40543-X5-100L-F-RED	4273	chain adjuster, right RED	1	1	1	1	
2	40543-X5-100L-F-BLACK	2277	chain adjuster, right BLACK					optional
3	52104-UP-01L-F	ask	adjuster for rear brake	1	1	1	1	
4	70.1-06020S	3599	hexagon socket head cap screws (M6x20)	1	1	1	1	
5	70.1-06025S	2477	hexagon socket head cap screws (M6x25)	1	1	1	1	
6	70.1-08035S	3526	hexagon socket head cap screws (M8x35)	4	4	4	4	
7	BF18*30*7	3912	spy gasket 18*30*7	2	2	2	2	
8	52187-X5A-01-D3	ask	bushing for pull rod of swing arm rocker	2	2	2	2	
9	6187.1-12000Z-1.25	766	Hex self-locking nut (M12x1.25)	2	2	2	2	
10	52108-X5-02-D3	ask	bushing for swing arm bearing	4	4	4	4	
11	3452.1-24/2.65	4450	O-ring (24*2.65)	4	4	4	4	
12	52140-NKI12/20-00	3567	Needle bearing ($\phi 12 \times \phi 24 \times 20$)	4	4	4	4	
13	50108-X5-100-D3	ask	bushing swing arm connect frame ($\Phi 16 \times \Phi 13 \times 123$)	1	1	1	1	
14	52110-SPY6-00	2475	chain slider	1	1	1	1	
15	70.2-06010S	3216	hexagon socket button head screws (M6x10)	1	1	1	1	
16	90120-X5-101	2138	axle of swing arm (M12x214x1.25)	1	1	1	1	
17	40530-420/104-00	1791	driving chain (420-104, black)	1				
17		2557	driving chain (420-104) RK					optional

F08

SWING ARM



No.	Part Code	UP ref.	Part Name(Remark)	LXR88R	LXR150	LXR150R	LXR150RR	Note
17	40530-420/110-00	149	driving chain (420-110, black)		1	1	1	
17		151	driving chain (420-112) RK					optional
18	5789-12093Z-1. 25	3947	hex. bolt with flanged face (M12x93x1.25)	1	1	1	1	
19	70. 3-06010S	4135	hex. socket countersunk Screw(M6x8)	1	1	1	1	
22	52105-UP-00L-F	ask	bracket for chain guard assembly	1	1	1	1	
23	52106-UP-00-D3	ask	mount for chain guard assembly	1	1	1	1	
24	70. 1-06020S	3599	hexagon socket head cap screws (M6x20)	2	2	2	2	
25	40543-X5-101L-F-RED	4272	chain adjuster, left RED	1	1	1	1	
25	40543-X5-101L-F-BLACK	3779	chain adjuster, left BLACK					optional
26	6170-08000Z	ask	hexagon nut (M8) steel	2	2	2	2	
26		4036	hexagon nut (M8) TITANIUM					optional
27	5783-08040Z	4332	hexagon bolt (M8x40) after april 2014	2	2	2	2	
27	5783-08050Z	3926	hexagon bolt (M8x50) beginning 2014	2	2	2	2	
28	52150-X5-100L-E-SILVER	3788	chain guard assembly SILVER	1	1	1	1	
30	70. 3-06008S	2845	hex. socket countersunk Screw(M6x8)	1	1	1	1	
34	70. 2-08020Z	367	hexagon socket button head screws (M8x20)	2	2	2	2	