

UPower 125

Bore x Stroke

52,4x57,5mm

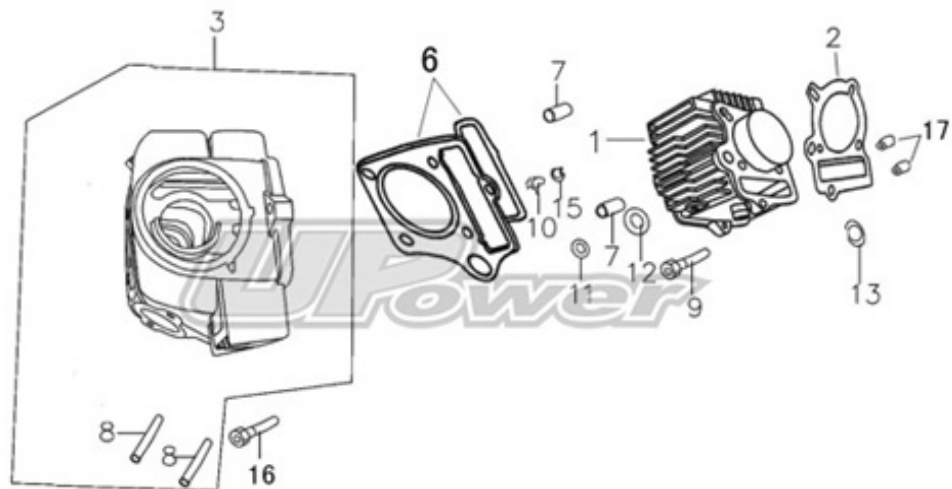
valves clearance

0,05 /0,05 mm



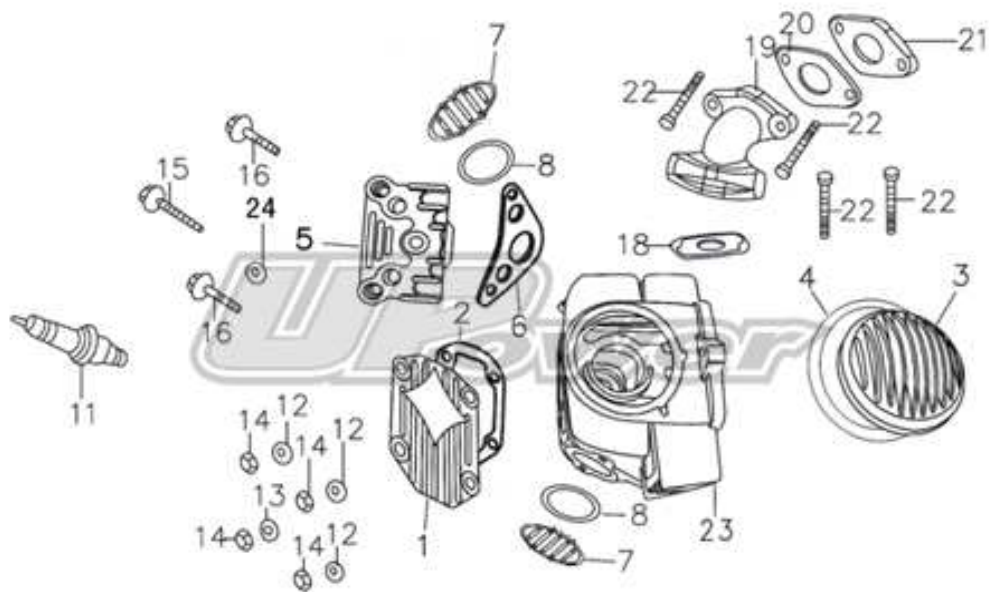
E-1

CYLINDER ASSY



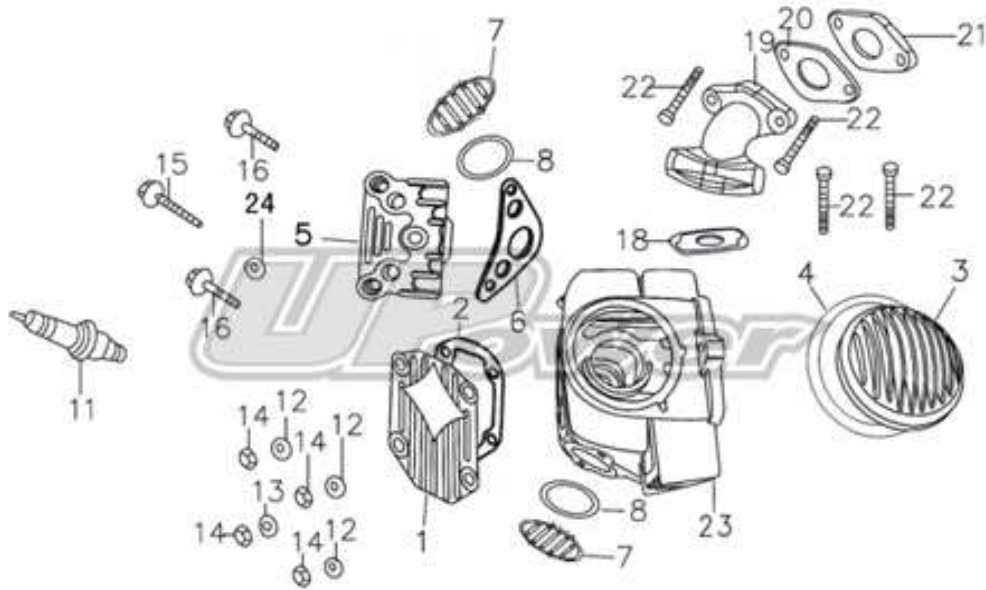
Ref.No.	UPower No.	Description	Qty	Remark
1	183	CYLINDER BODY	1	52,4mm bore
2	198	CYLINDER BASE GASKET	1	0,40 thickness
3		CYLINDER HEAD ASSY	1	with valves, camshaft, rockers
3	2372	CYLINDER HEAD	1	
6	358	CYLINDER HEAD GASKET	1	1mm thickness
7	728	ASSEMBLING PIN 8×14	2	
8	3516	BOLT M6 x 38	2	
9	2710	BOLT M6 x 30	1	
10	N/A		1	
11	N/A		1	
12	182	RECTANGLE HEAD RING SEAL GASKET	1	
13	189	RECTANGLE BASE RING SEAL GASKET	1	
15	N/A		1	
16	3213	BOLT M6 x 25	1	
17	728	ASSEMBLING PIN 8 × 12	2	

CYLINDER HEAD



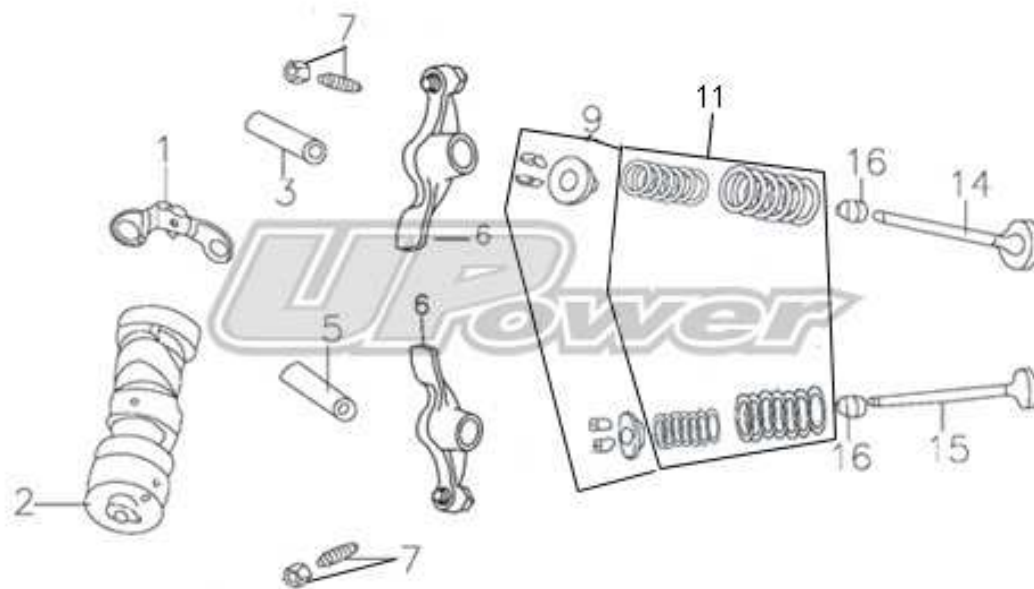
Ref.No.	UPower No.	Description	Qty	Remark
1	879	CYLINDER HEAD TOP COVER	1	
2	2788	CYLINDER HEAD TOP COVER GASKET	1	
3	880	CYLINDER HEAD LEFT COVER	1	
4	1883	CYLINDER HEAD LEFT COVER GASKET	1	
5	1098	CYLINDER HEAD RIGHT COVER	1	
6	2784	CYLINDER HEAD RIGHT COVER GASKET	1	
7	435	VALVE ADJUSTER COVER	2	round cover
8	2198	VALVE ADJUSTER COVER O RING	2	
11	468	NGK SPARKING CR7HSA	1	low charge, cold weather
11	6	NGK SPARKING CR8HSA	1	high charge, hot weather
12	N/A	STEEL WASHER	3	
13	N/A	COPER WASHER	1	lower right side
14	N/A	NUT	4	screw torque 1,2 m.kg
15	826	BOLT M6 x 110	1	

CYLINDER HEAD



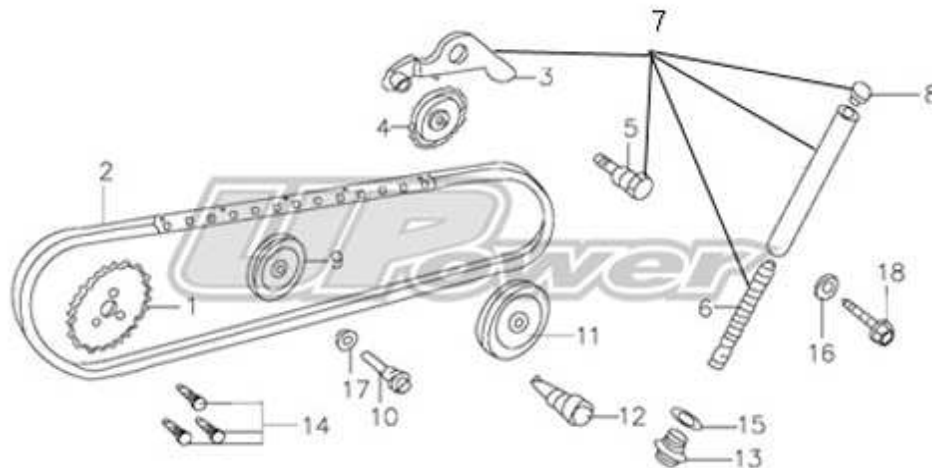
Ref.No.	UPower No.	Description	Qty	Remark
16	3213	BOLT M6 x 25	2	
18	1017	INTAKE GASKET	1	
19	2128	INTAKE PIPE	1	
20	2609	PIPE GASKET	1	
21	2459	HEAT REDUCER	1	
22	2710	BOLT M6 x 30	4	
23	2372	CYLINDER HEAD	1	
24	N/A	ALUMINIUM WASHER 6	1	
20+21	2459	ISOTHERMAL JOIN HEAD TO PIPE SET	1	

CAMSHAFT ASSY



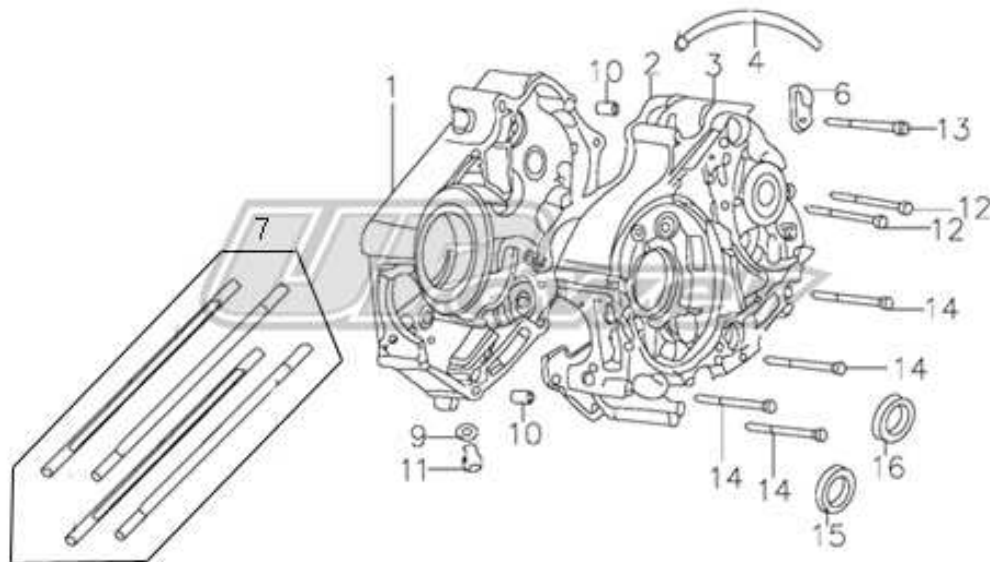
Ref.No.	UPower No.	Description	Qty	Remark
2	2087	CAMSHAFT	1	
2	225	CAMSHAFT 125 UPOWER	1	
3	2306	INTAKE ROCKERARM SHAFT	1	
5	2306	EXHAUST ROCKERARM SHAFT	1	
6	2298	ROCKER ARM	2	provided with screw and nut
7	2311	VALVE ADJUSTING SCREW WITH NUT	2	
9	824	VALVE RETAINER SET	2	
11	823	SPRING VALVE SET	2	
14	202	INTAKE VALVE	1	
15	2643	EXHAUST VALVE	1	
16	302	VALVE STEM SEAL	2	

TIME CHAIN



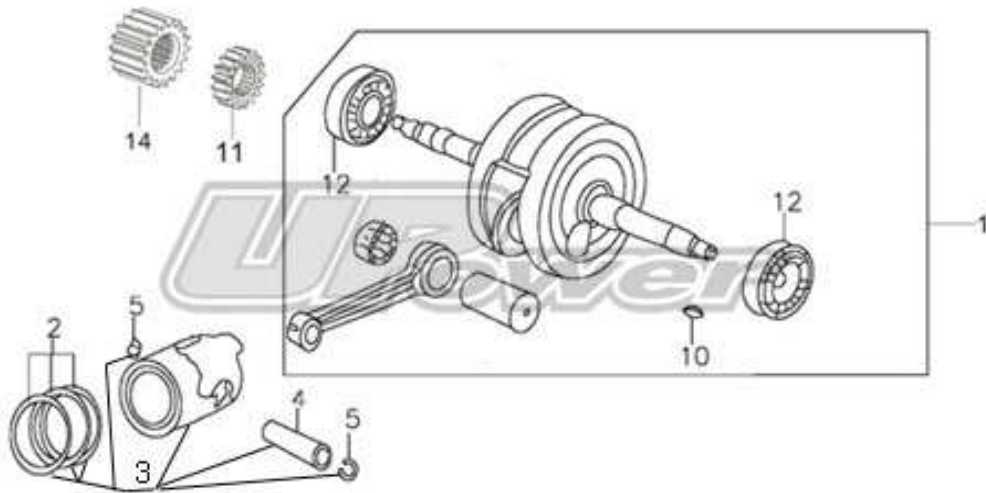
Ref.No.	UPower No.	Description	Qty	Remark
1	2834	TIMING CAMSHAFT SPROCKET	1	
2	2833	TIMING CAMSHAFT CHAIN	1	90 link
3	N/A	CHAIN TENSIONER ARM	1	
4	659	CHAIN TENSIONER ROLLER	1	
5	N/A	CHAIN TENSIONER ARM SCREW	1	
6	N/A	CHAIN TENSIONER SPRING SET	1	
7	3821	CHAIN TENSIONER STUD SUBASSEMBLY	1	
8	N/A	CHAIN TENSIONER STUD CAP	1	
9	2518	CYLINDER CAMSHAFT CHAIN ROLLER	1	
10	N/A	CYLINDER CAMSHAFT CHAIN ROLLER SCREW	1	
11	2843	LOWER CAMSHAFT CHAIN ROLLER	1	
12	N/A	LOWER CAMSHAFT CHAIN ROLLER SCREW	1	
13	N/A	TENSIONER BOLT	1	
14	2844	BOLT M5x12 SET	1	
15	430	ALUMINIUM WASHER 14	1	
16	N/A	WASHER 6	1	
17	N/A	ALUMINIUM WASHER 8	1	
18	N/A	BOLT M6 x 18	1	

CRANKCASE



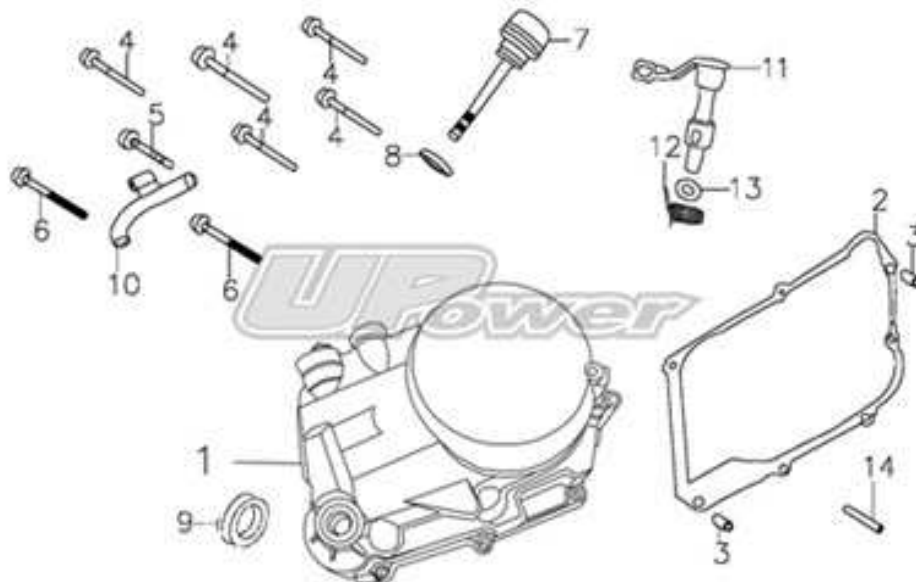
Ref.No.	UPower No.	Description	Qty	Remark
1	2613	RIGHT CRANKCASE	1	for needle bearing since june 2010
2	3663	CRANKCASE GASKET	1	
3	2642	LEFT CRANKCASE	1	
4	N/A	BREATHING TUBE	1	
5	N/A		1	
6	N/A		1	
7	3840	CYLINDER STUD SET	1	
9	430	DRAIN WASHER	1	
10	3226	ASSEMBLING PIN 10x14	2	
11	2665	DRAIN BOLT ALLOY	1	
11	3665	DRAIN BOLT STEEL	1	
12	N/A	BOLT M6 x 60	2	
13	N/A	BOLT M6 x 50	1	
14	N/A	BOLT M6 x 65	4	
15	212	GEAR SHIFT SHAFT OIL SEAL 11,6x24x10	1	
16	233	COUNTERSHAFT OIL SEAL 17x29x5	1	

CRANKSHAFT



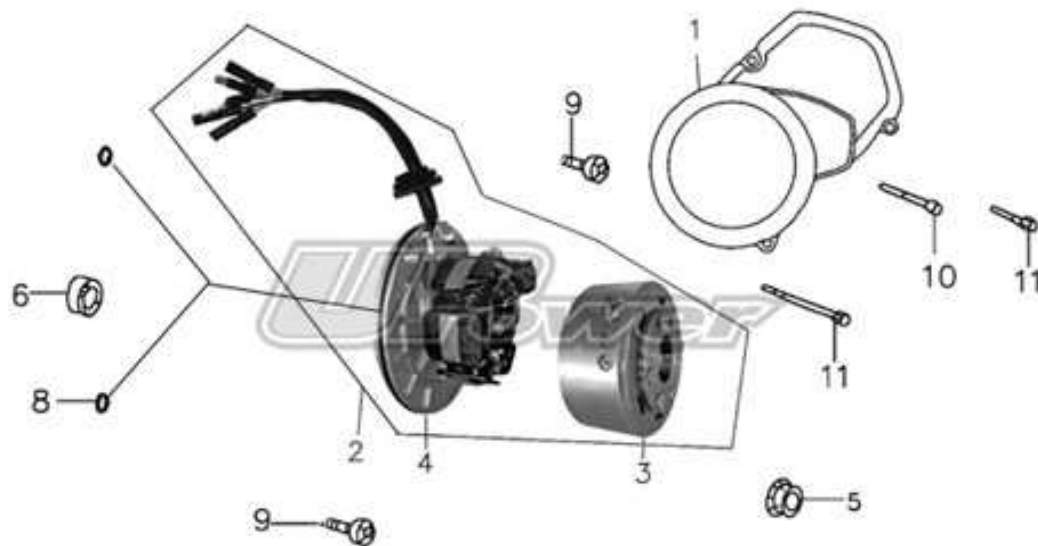
Ref.No.	UPower No.	Description	Qty	Remark
1	2369	CRANKSHAFT	1	
2	612	PISTON RING SET	1	
3	1121	PISTON SET	1	52,4mm
4	N/A	PISTON PIN	1	13mm
5	222	PISTON PIN CLIP	2	
10	1538	SEMICIRCULAR KEY	1	
11	N/A	OIL PUMP DRIVER GEAR	1	
12	2961	BEARING 6304	2	
14	1891	PRIMARY DRIVER GEAR	1	

CRANKCASE COVER



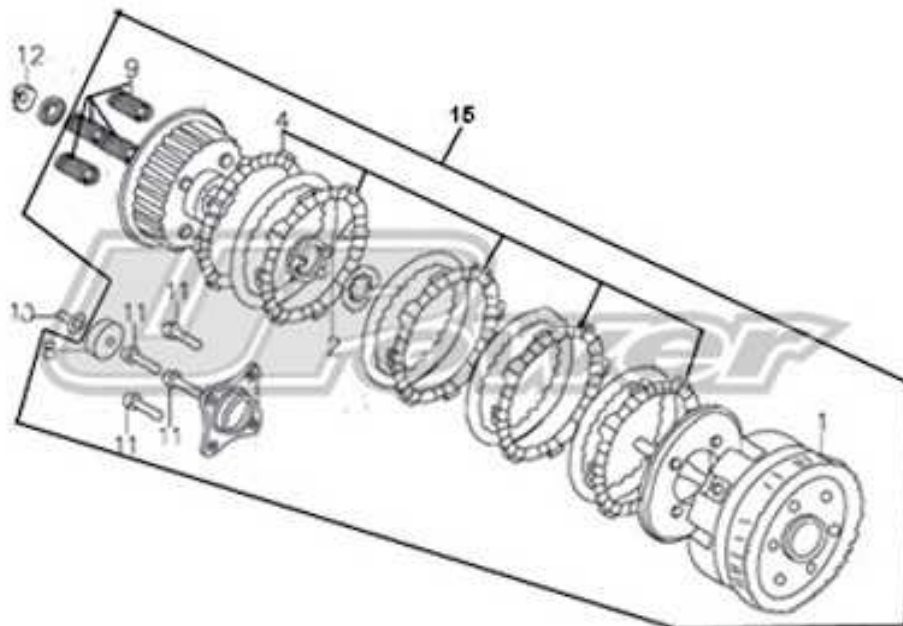
Ref.No.	UPower No.	Description	Qty	Remark
1	N/A	RIGHT CRANKCASE COVER	1	
2	3174	RIGHT CRANKCASE GASKET	1	
3	728	PITCHED PIN	2	
4	N/A	BOLT M6 x 40	5	
5	N/A	BOLT M6 x 65	1	
6	N/A	BOLT	2	
7	N/A	OIL GAUGE	1	
8	N/A	O-RING	1	
9	213	OIL SEAL 13,7x24x5	1	
10	N/A	CLUTCH CABLE CLIP	1	
11	N/A	CLUTCH CONTROL LEVER	1	
12	N/A	CONTROL LEVER RETURN SPRING	1	
13	1330	OIL SEAL 12x18x5	1	
14	N/A	OIL PIPE	1	

Left Crankcase Cover & Magneto

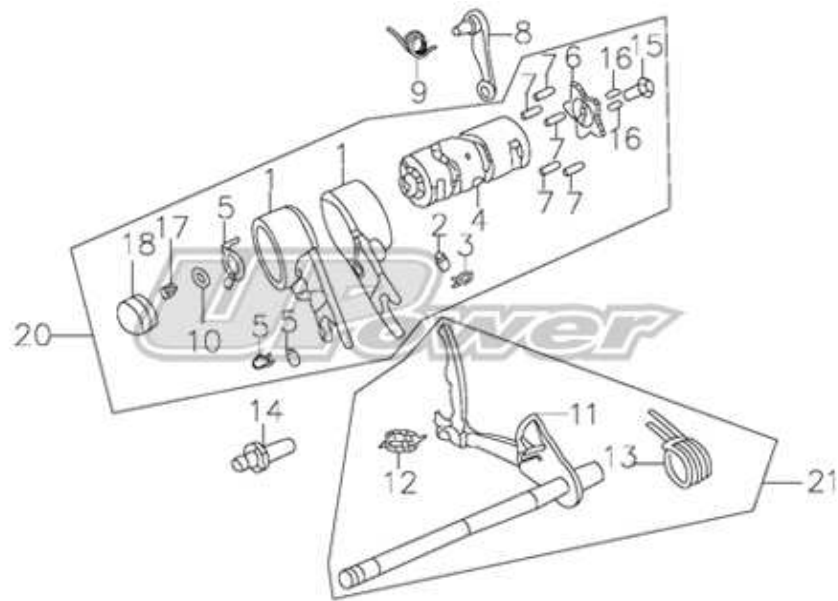


Ref.No.	UPower No.	Description	Qty	Remark
1	2829	LEFT COVER	1	
2	2506	MAGNETO ASSEMBLY WITH LIGHT OUTPUT	1	for MX use
2	2469	MAGNETO ASSEMBLY WITHOUT LIGHT OUTPUT	1	for road use
3	2714	FLYWHEEL	1	
4	2827	STATOR ASSEMBLY WITH LIGHT OUTPUT	1	for road use
4	2412	STATOR ASSEMBLY WITHOUT LIGHT OUTPUT	1	for MX use
5	2483	HEX FLYWHEEL NUT	1	
6	175	OIL SEAL 18,9x30x5	1	
8	176	O-RING STATOR SET	1	2x 6,5x1,8+ 1x106,8x2mm
9	481	BOLT M6 x 16	2	
10	N/A	BOLT M6 x 28	1	
11	N/A	BOLT M6 x 35	2	

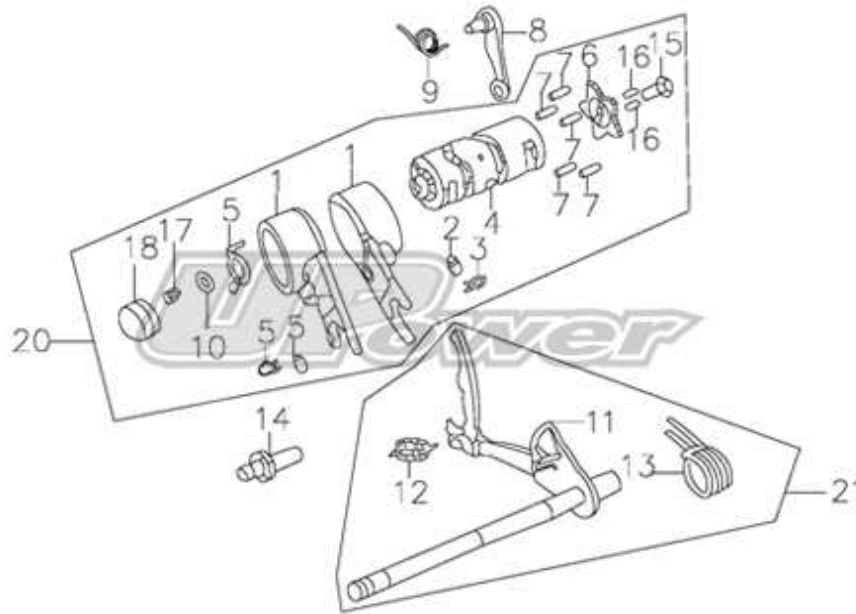
CLUTCH COMPONENT PART



Ref.No.	UPower No.	Description	Qty	Remark
1	756	CLUTCH BASKET	1	
2	808	WASHER TEETHED	1	
3	N/A	CENTRE OF CLUTCH COVER	1	
4	3636	CLUTCH FRICTION DISK SET	1	
8	1887	BEARING 6000	1	
9	1938	CLUTCH SPRING SET	1	
10	631	CLUTCH PUSH ROD	1	
11	2852	BOLT M6x20	4	
12	795	CLUTCH NUT M14x1	1	
14	1887	SHAFT WASHER SET	1	

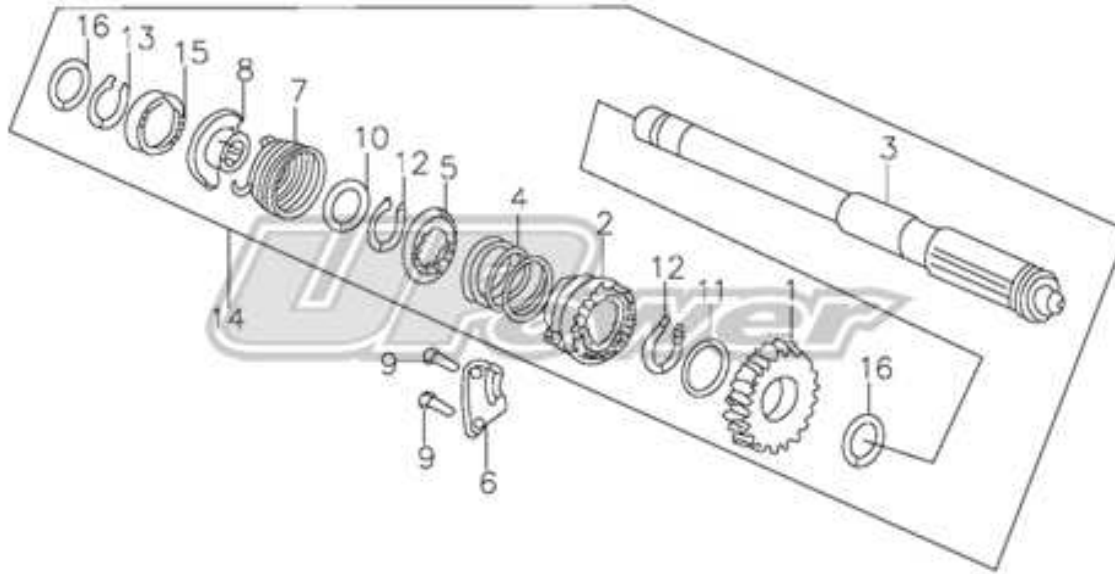


Ref.No.	UPower No.	Description	Qty	Remark
1	1469	GEAR SHIFT FORK	2	
2	N/A	GUIDE PIN	1	
3	N/A	SPRING CLIP	1	
4	N/A	SHIFTING DRUM	1	
5	N/A	NEUTRAL GEAR SWITCH CONTACT	1	
6	N/A	SPEED VARIATOR STRONGBACSTRONGBACK PIN	1	
7	N/A	STRONGBACK PIN BOLT	5	
8	N/A	SPEED VARIATOR STRONGBACK SUBASSEMBLY	1	
9	N/A	STRONGBACK SPRING	1	
10	N/A	WASHER	1	
11	N/A	GEAR SHIFT SHAFT SUBASSEMBLY	1	
12	N/A	SPRING	1	
13	N/A	RETURN SPRING	1	
14	N/A	ASSEMBLING SPING	1	
15	N/A	BOLT WITH SALVER	1	
16	N/A	ASSEMBLING PIN	2	



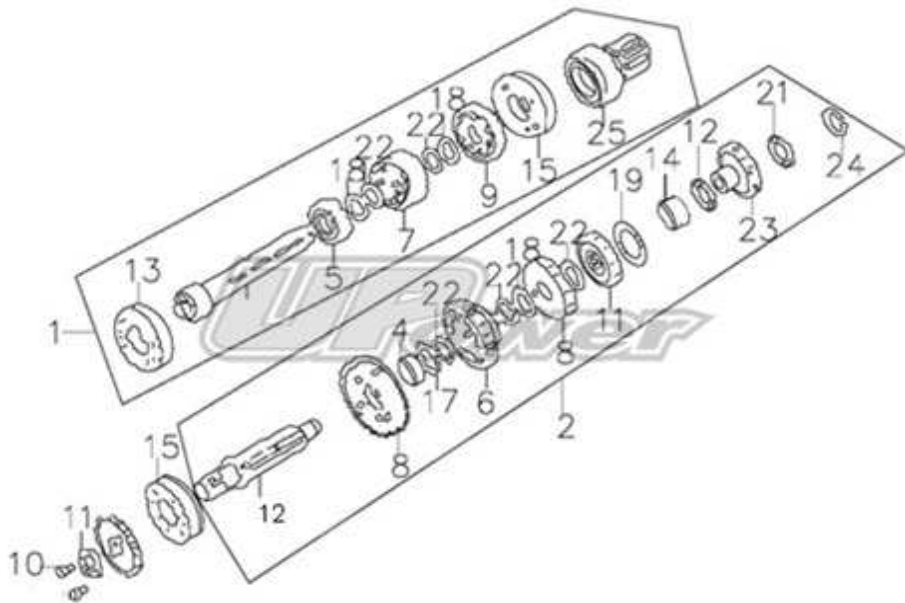
Ref.No.	UPower No.	Description	Qty	Remark
17	N/A	SWITCH PRESSBOARD	1	
18	2382	RUBBER CAP	1	
20	2375	SHIFTING YOKE VARIATOR	1	
21	911	SHIFTING SUBASSEMBLY 145mm	1	
21	1301	SHIFTING SUBASSEMBLY 150mm	1	
21	1717	SHIFTING SUBASSEMBLY 157mm	1	

START SHAFT ASSY



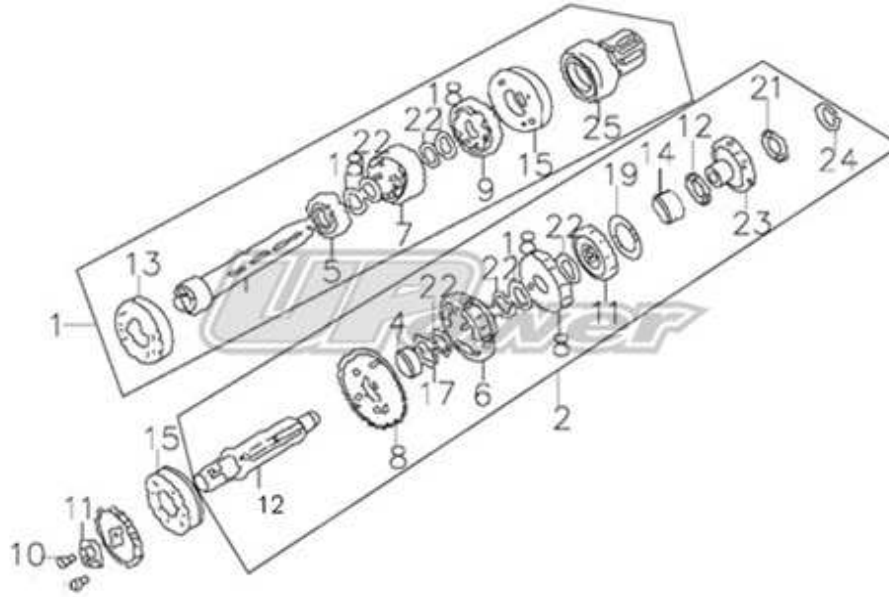
Ref.No.	UPower No.	Description	Qty	Remark
1	1807	START GEAR	1	
2	N/A	STARTING RATCHET WHEEL	1	
3	N/A	STARTING SHAFT	1	
4	N/A	SPRING	1	
5	N/A	RATCHET WHEEL SPRINGS SUPPORTING	1	
6	N/A	RATCHET WHEEL GUIDE RUNNER	1	
7	N/A	STARTING SHAFT RETURN SPRING	1	
8	N/A	STARTING SHAFT SPRING SUPPORTING	1	
9	N/A	BOLT M6x18	2	
10	N/A	WASHER	1	
11	N/A	WASHER	2	
12	3664	CLIPS	3	
13	N/A	SHIELD RING	1	
14	3128	STARTING SHAFT ASSEMBLY	1	16mm kick fixing
15	N/A	SPRING COVER	1	
16	N/A	WASHER	2	

GEAR BOX ASSEMBLY



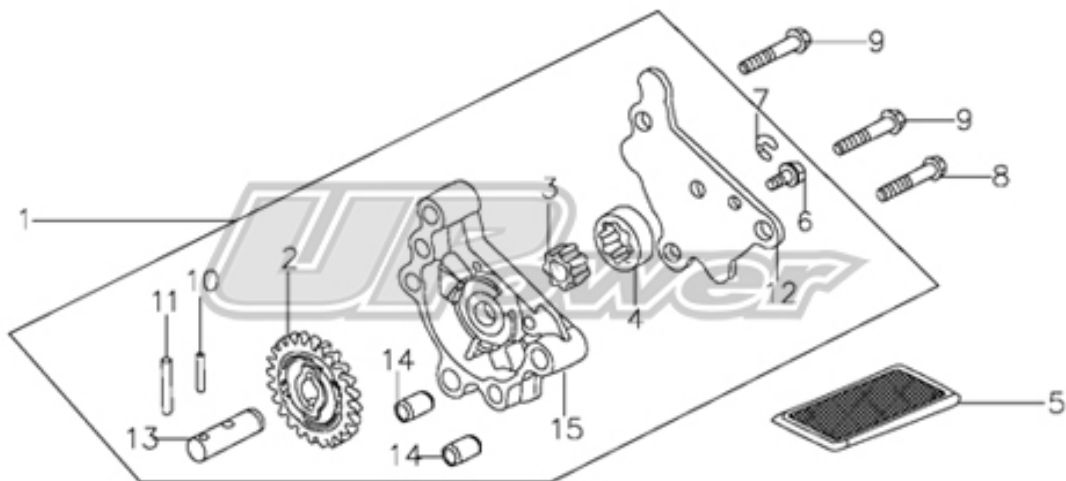
Ref.No.	UPower No.	Description	Qty	Remark
1	2165	TRANSMISSION MAIN SHAFT	1	
2	3144	TRANSMISSION COUNTERSHAFT	1	for needle bearing on right side
4	N/A	GEARED SLEEVE	1	
5	N/A	GEAR WHEEL	1	
6	N/A	SPLINE SHAFT DRIVER GEAR	1	
7	N/A	SPLINE SHAFT MAIN DRIVEN GEAR	1	
8	N/A	GEAR WHEEL	1	
9	N/A	GEAR WHEEL	1	
10	2845	SPROCKET FIXING SCREW M6	2	
11	197	SPROCKET FIXING PLATE	1	
12	3408	COUNTERSHAFT	1	for needle bearing right side
13	N/A	BEARING	1	
14	2299	NEEDLE BEARING	1	

GEAR BOX ASSEMBLY



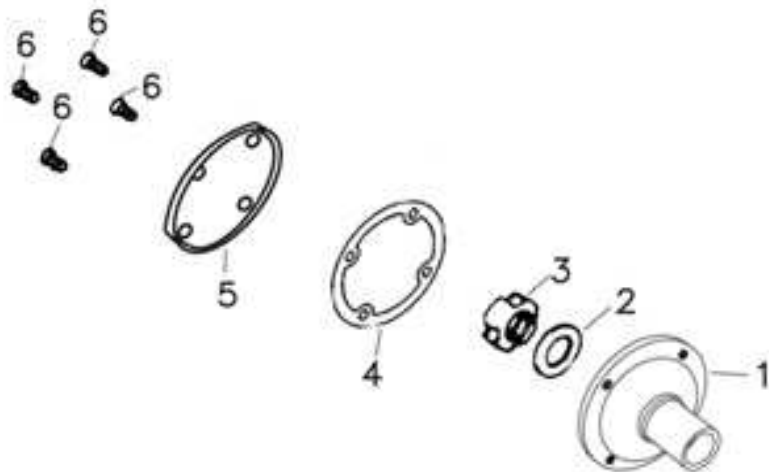
Ref.No.	UPower No.	Description	Qty	Remark
15	1721	BEARING 17x42x12	1	
17	N/A	SPLINE SHAFT WASHER	1	
18	N/A	SPLING SHAFT WASHER	3	
19	N/A	SPLING SHAFT WASHER	2	
21	N/A	SPLING SHAFT WASHER	1	
22	N/A	SHIELD RING	5	
23	2108	START INTERMEDIATE GEAR	1	after 2009
23	3139	START INTERMEDIATE GEAR	1	2007/2008/2009
24	3666	SHIELD RING	1	
25	1806	KICK CLUTCH GEAR	1	

OIL PUMP ASSY



Ref.No.	UPower No.	Description	Qty	Remark
1	647	OIL PUMP ASSEMBLY	1	
2	N/A	OIL PUMP DRIVER GEAR	1	
3	N/A	OIL PUMP INNER ROTOR	1	
4	N/A	OIL PUMP OUTER ROTOR	1	
5	N/A	OIL FILTER SUBASSEMBLY	1	
6	N/A	PLATE BOLT	1	
7	N/A	SHIELD RING	1	
8	N/A	BOLT WITH SALVER	1	
9	N/A	BOLT WITH SALVER	2	
10	N/A	PIN BEARING	1	
11	N/A	PIN BEARING	1	
12	N/A	OIL PUMP COVER	1	
13	N/A	OIL PUMP AXIS	1	
14	N/A	ASSEMBLING PIN	2	
15	N/A	OIL PUMP BODY	1	

OIL CLEANER



Ref.No.	UPower No.	Description	Qty	Remark
1	764	BALANCE WHEEL	1	
2	N/A	WASHER	1	
3	1887	LOCK NUT SET	1	
4	N/A	PAPER WASHER	1	
5	N/A	BALANCE WHEEL COVER	1	
6	N/A	BOLT M5	4	